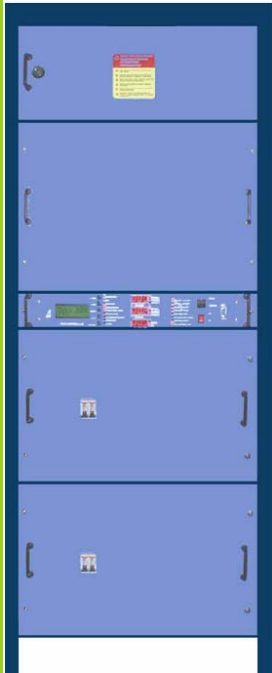


# Site Infrastructure Mgt System



Q3 2008

# What is SIMS

- Site Infrastructure Management System or SIMS, is a combination of various Functional Blocks, that facilitates management of Unmanned Telecom Sites.
- This is a complete standalone site manager which makes maximum Utilization of Grid Power. .
- This is a complete standalone site manager.
- This can be ordered with various combinations to suit every site or need.
- Built in Class-B & C Lightning and Surge protection, RFI/EMI/EMC/EFT filters.
- Meets international standards i.e. CE, UL etc.

Site Infrastructure  
Management  
System



# Functional Blocks

- Phase Selector
- Class-I & Class-II Lightning & Surge Protection
- Static Line Conditioner & Isolation Transformer
- Automatic Transfer Switch (ATS) & Generator Management
- Alarm Management & Logging
- AC Distribution
- Site Status Communications & Management Functions

Site Infrastructure  
Management  
System



# Phase Selector

- Selects the best available phase(s)
- Three Phase Delta Input – P-P Output
- Three Phase Star Input – P-N Output
- Hysterisis and time delay to prevent hunting  
Stabilizers for contactor drive
- HVD / LVD / Overload protection

Site Infrastructure  
Management  
System



# Lightning & Surge Protection

- Class B & Class C protection

## Static Line Conditioner Unit (LCU)

SCR based - robust performance

- High correction speed (10 m.sec) with no moving parts
- Isolation Tx included
- Wide Input Range (170V – 480V)
- 1 / 2 / 3 LCUs per system
- Ratings 5 / 7.5 / 12.5 KVA

Site Infrastructure  
Management  
System



# Main Controller / Site status Communication

## Main Controller

- Single 1 or 3 phase generator
- Generator protection
- Battery cycling function
- Thermal management function
- Alarm management & logging
- Optional Air Conditioner Control
- Programmable – MMI / GUI / GPRS

## ACDB

- AC distribution – customized

## Site Status Communication

- SMS / GPRS based
- Auto dialer – voice calls
- Embedded IVRS for status query
- Central Monitoring Software
- Cost management reports

## Site Infrastructure Management System



# Infrastructure Management System

- GSM based wireless communication platform
  - RS232 interface support for integration with the remote system
  - Support both inbound and outbound calls
  - Embedded 24x7 platform
  - Seven digital inputs for legacy alarms.
  - Auto dial out voice message support for alarms
  - SMS to up to 2 monitoring servers & 8 hand phones
  - Password protection for IVRS
  - In-built non-volatile memory for storing parameters.

Site Infrastructure  
Management  
System



# Infrastructure Management System

- Additional 6 relay contacts can be operated in a secure manner (guarded by calling party identification) to provide remote control operation at site.
- GPRS support for status monitoring / remote programming of Power Interface System
- Multiple language support for IVRS
- Real Time Clock
- Extensive Top & Bottom 'n' reports for management analysis.

Site Infrastructure  
Management  
System



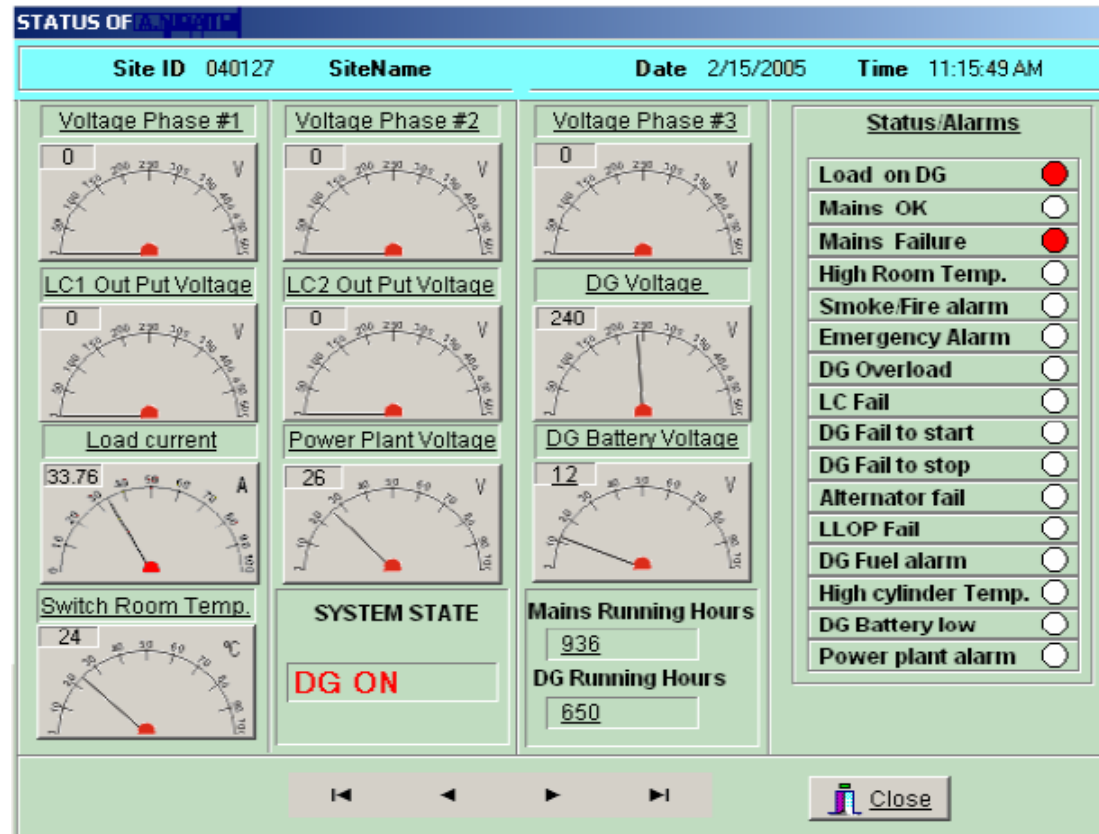
# Wireless Data Terminal

- Works with CDMA phone
  - Logs events / data on a server through the Internet
  - Internal Battery Backup
  - Wireless Telemetry Applications

Site Infrastructure  
Management  
System



# Screenshots of Remote Management Software



Site Infrastructure  
Management  
System



# Screenshots of Remote Management Software

GSITE PROGRAMMER (LPC-SP3AC)

File Settings

SITE ID	SITE NAME	
PORT NO.	IP ADDRESS	
MODE SELECTION	SMS+DIALER ONLY	
PRIORITY	GPRS SMS + DIALER	
INMS SERVER # 1		
INMS SERVER # 2		
MOBILE NUMBERS		
SERIAL NO. 1	<- >>	
SERIAL NO. 2	<- >>	
SERIAL NO. 3	<- >>	
SERIAL NO. 4	<- >>	
SERIAL NO. 5	<- >>	
SERIAL NO. 6	<- >>	
ALARMS		
For Serial # 6		
SPP Alarms	SMS DIAL	
Legacy Alarms	SMS DIAL	
DG START FAULT	<input type="checkbox"/> <input type="checkbox"/>	<input type="checkbox"/> <input type="checkbox"/>
DG OVERLOAD	<input type="checkbox"/> <input type="checkbox"/>	<input type="checkbox"/> <input type="checkbox"/>
DG FUEL FAULT	<input type="checkbox"/> <input type="checkbox"/>	<input type="checkbox"/> <input type="checkbox"/>
EMERG. FAULT	<input type="checkbox"/> <input type="checkbox"/>	<input type="checkbox"/> <input type="checkbox"/>
HIGH CYL. ALARM	<input type="checkbox"/> <input type="checkbox"/>	<input type="checkbox"/> <input type="checkbox"/>
FIRE ALARM	<input type="checkbox"/> <input type="checkbox"/>	<input type="checkbox"/> <input type="checkbox"/>
DG STOP ALARM	<input type="checkbox"/> <input type="checkbox"/>	<input type="checkbox"/> <input type="checkbox"/>
DG ALT. ALARM	<input type="checkbox"/> <input type="checkbox"/>	Leg. Cntl. Nos. R1 R2 R3 R4 R5 R6
HIGH ROOM TEMP.	<input type="checkbox"/> <input type="checkbox"/>	<input type="checkbox"/> <input type="checkbox"/> <input type="checkbox"/> <input type="checkbox"/> <input type="checkbox"/> <input type="checkbox"/>
DG BATT. ALARM	<input type="checkbox"/> <input type="checkbox"/>	<input type="checkbox"/> <input type="checkbox"/> <input type="checkbox"/> <input type="checkbox"/> <input type="checkbox"/> <input type="checkbox"/>
PP ALARM	<input type="checkbox"/> <input type="checkbox"/>	<input type="checkbox"/> <input type="checkbox"/> <input type="checkbox"/> <input type="checkbox"/> <input type="checkbox"/> <input type="checkbox"/>
LLOP FAULT	<input type="checkbox"/> <input type="checkbox"/>	<input type="checkbox"/> <input type="checkbox"/> <input type="checkbox"/> <input type="checkbox"/> <input type="checkbox"/> <input type="checkbox"/>
LCU FAIL	<input type="checkbox"/> <input type="checkbox"/>	Send Cleared Alarms <input type="checkbox"/>
CONTROLLER CARD	SPP	

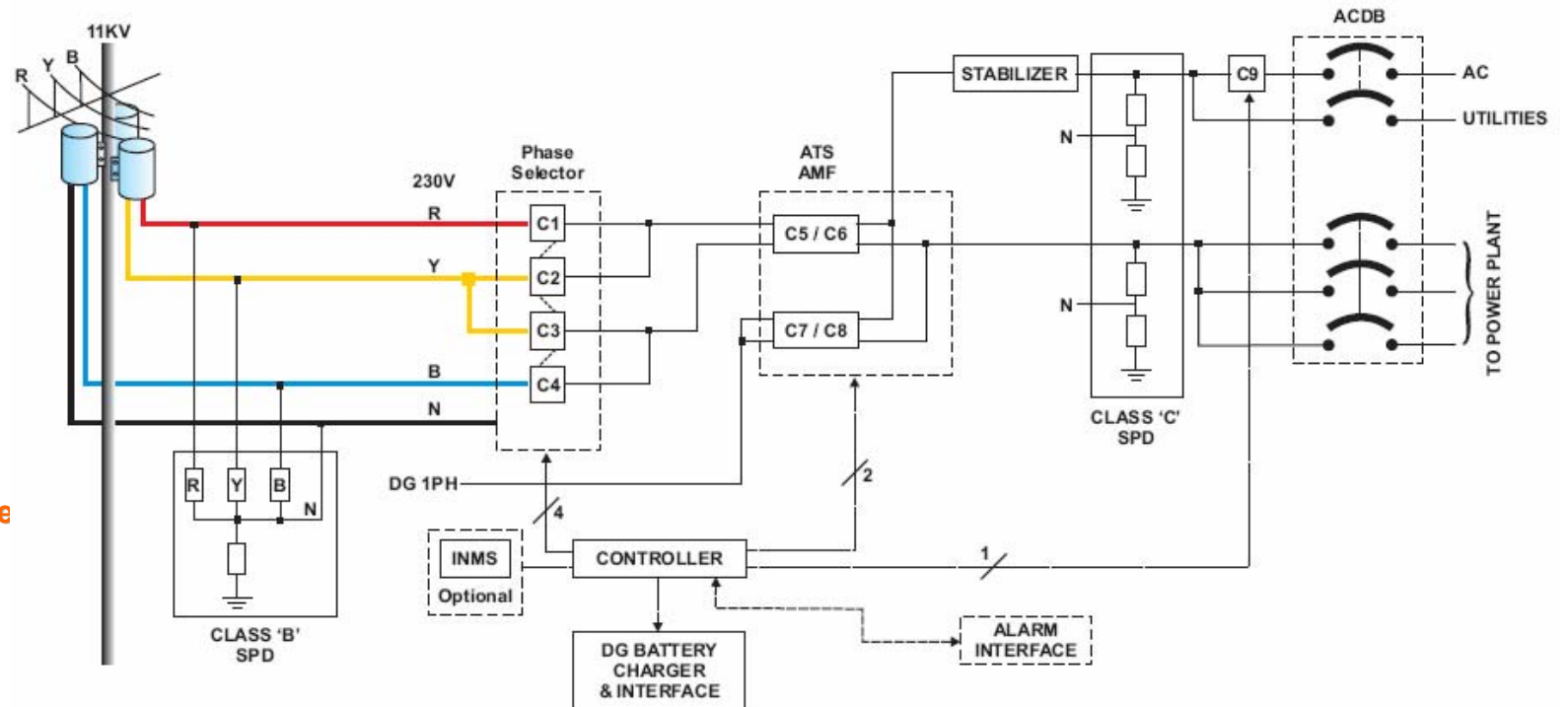
Download Upload <<<<

Site Infrastructure  
Management  
System





## GP - RURAL BTS POWER SOLUTION



Site Infrastructure  
Management  
System





## Site Infrastructure Management System(SIMS) Information required from User

### Sl. No. Parameter

- 1 Existing or New site
- 2 Number of Generator sets at site
- 2a Rating, make of Generator 1 & whether single/three phase
- 2b Rating, make of Generator 2 & whether single/three phase(if applicable)
- 3 Number of Air Conditioners
- 3a Capacity & Type(window/split/any other type) of Air Conditioner 1
- 3b Capacity & Type(window/split/any other type) of Air Conditioner 2
- 4 Is Air Conditioner Controller installed at site
- 5 Commercial Power is available or not
- 5a If commercial power available, whether it is single phase or three phase
- 6 Number & Ratings of ACDB MCBs
- 6a MCB1
- 6b MCB2
- 6c MCB3
- 6d MCB4
- 6e MCB5
- 6f MCB6
- 7 Is Automatic Voltage Regulator being used at site
- 7a If yes, number of AVRs & their rating
- 8 Is Isolation Transformer being used at site
- 8a If yes, rating of Isolation Transformer
- 9 Rating of Rectifier System(peak load + battery charging current) in KW

### Site Infrastructure Management System



# CUSTOMERS

- MTN
- Multilinks
- Quipo
- GTL Infrastructure
- Multilinks

Site Infrastructure  
Management  
System

